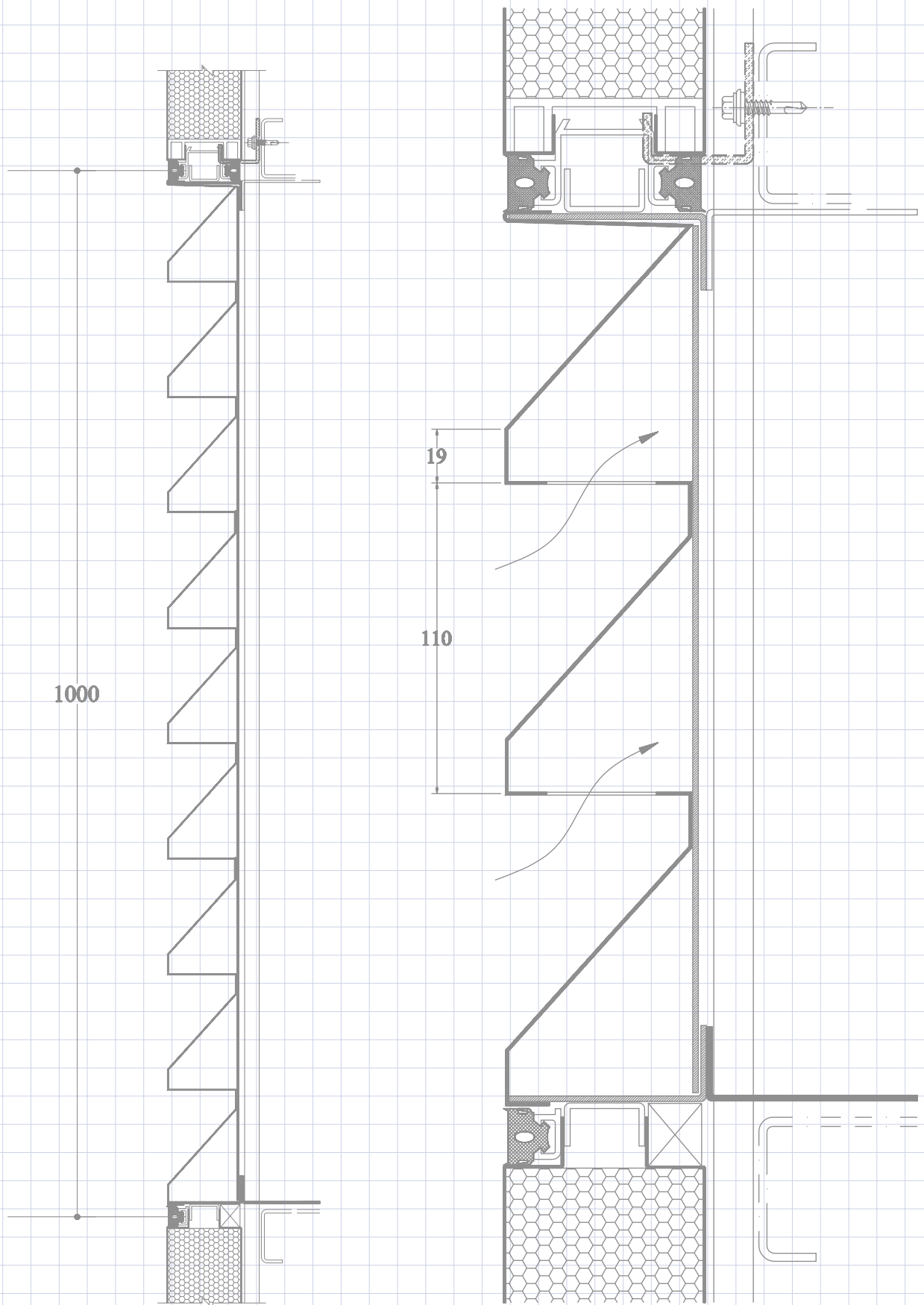


These press formed banks of look-a-like louvres can be used to great effect in creating a different facade texture in large building facades. Manufactured from 0.9mm thickness aluminium PVF₂ painted coil material or 1.2 to 1.5mm mill finish aluminium with a polyester powder paint finish to a standard RAL colour.

Standard profiles are available or the blade pitch and depth can be designed to integrate into other building elements.

The louvre banks can be made active by perforating the horizontal return surface to give varying degrees of free air space.



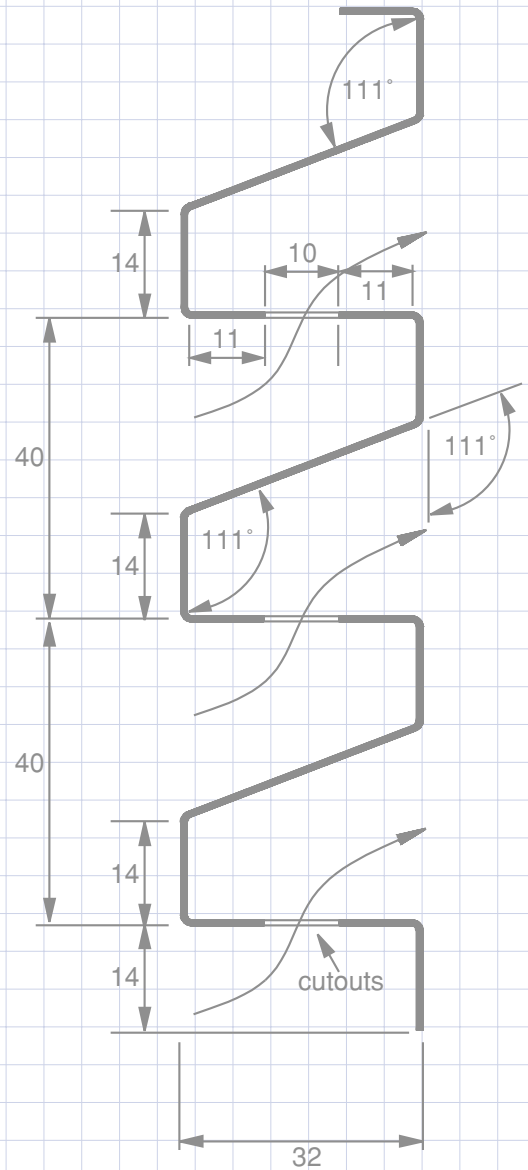
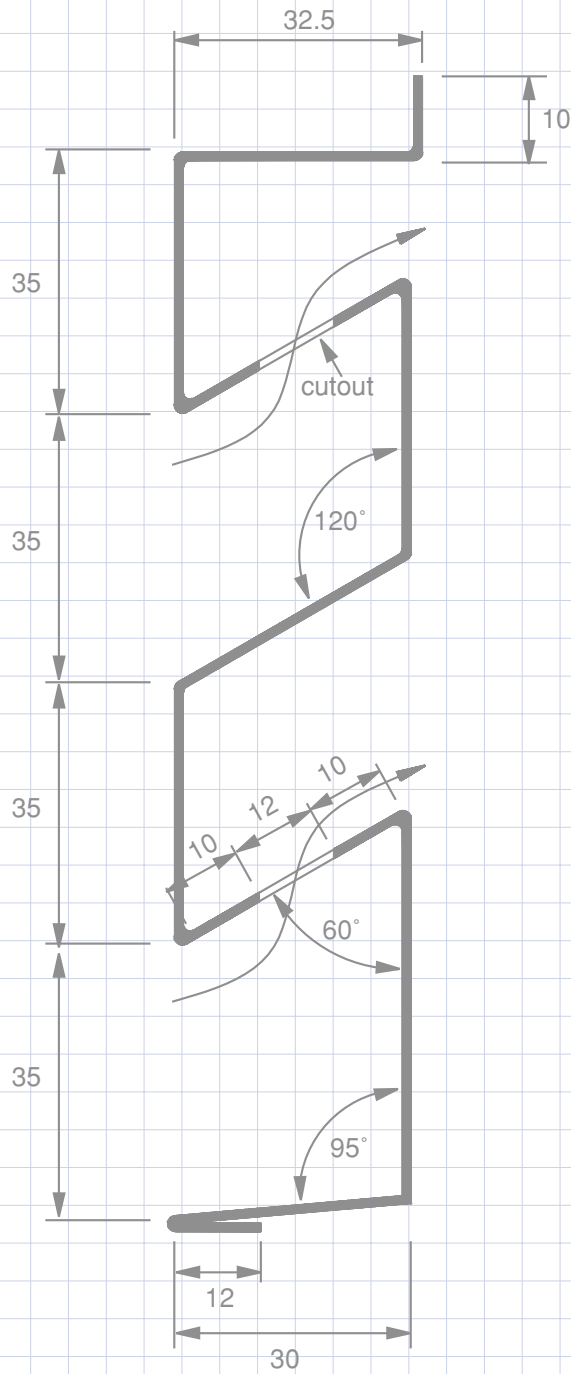


The EDM Architectural Metal Products folded louvre panel in a range of metal finishes is designed to be installed into Spanwall panel systems.

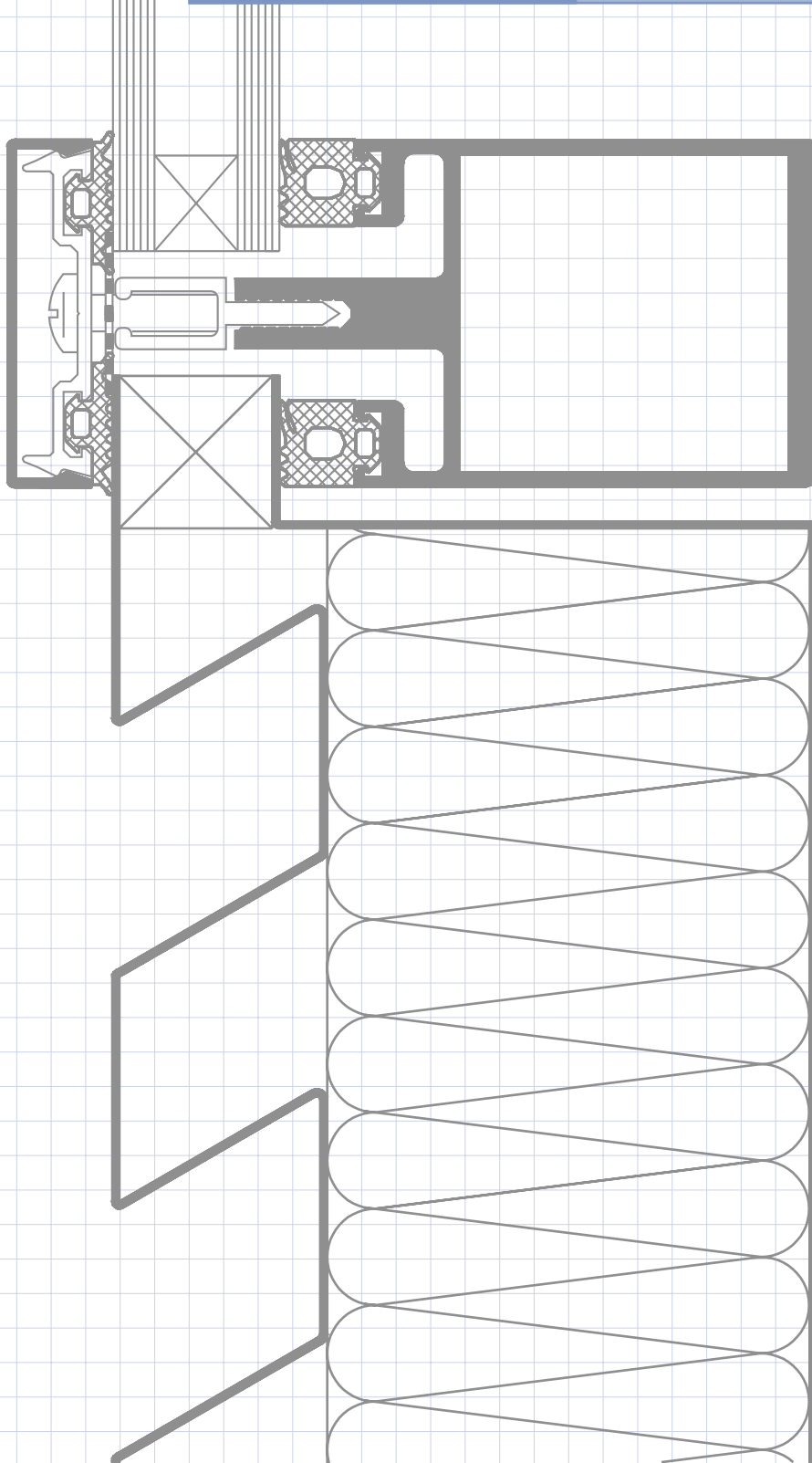
The folded louvre can also be installed into complete louvre bays with its own support system.

Girth	340
Material	Aluminium
Gauge	To Project Specification
Length	Up to 4.000
PPC	Standard Colour

Girth	200
Material	Aluminium
Gauge	To Project Specification
Length	Up to 4.000
PPC	Standard Colour



The folded louvre panel edge frame detail can be designed to suit most installations. The profiles shown below were manufactured in stainless steel for the George's Quay in Dublin. A ventilation requirement to the offices required air intake panels at each floor level.



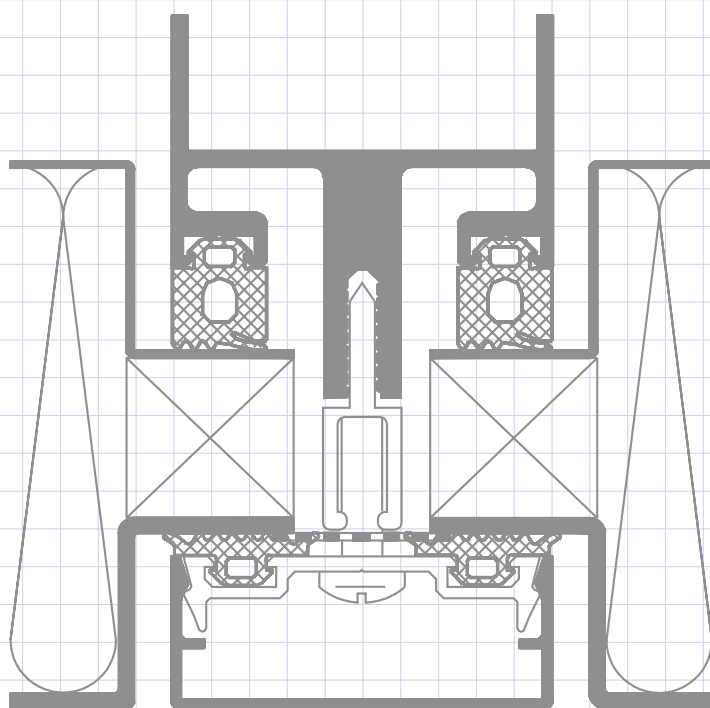
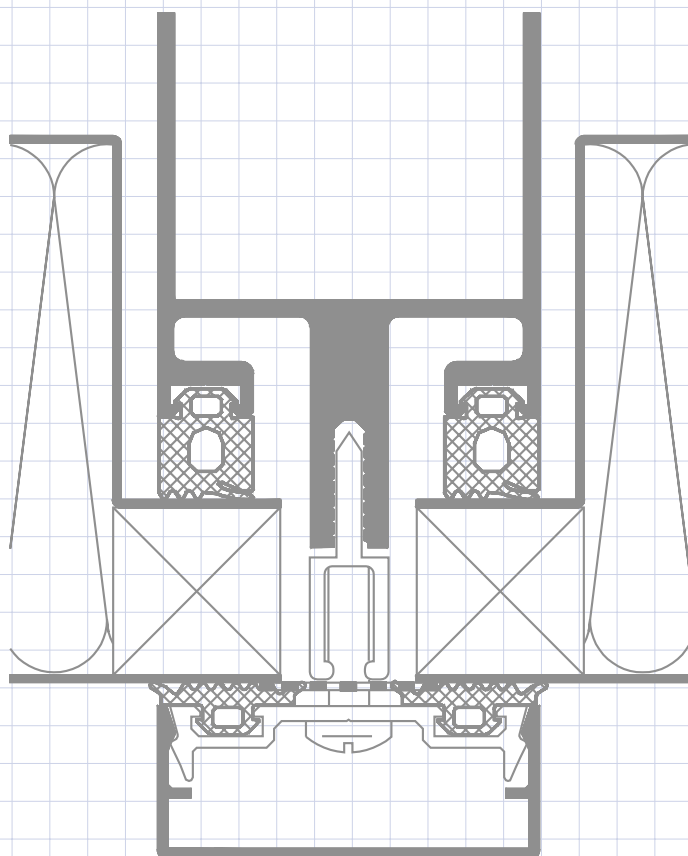
Spandrel panels can be manufactured as folded trays in many different metals and finishes. The spandrel panels can also be made as a bonded/insulated panel to suit the glazing rebate in curtain wall systems.

With all the knowledge and experience of the Spanwall composite panel manufacturing company within the Group EDM can offer fully insulated bonded composite infill panels for all major curtain walling systems.

The edge details can be designed to give recessed, fully flush or expressed panels.

The outer skin can be prepainted PVF2 finish aluminium or P.P.C finished aluminium to any standard RAL colour.

The insulation core can be high density polystyrene or rockwool lamella slabs with a designed thickness to meet required U values.

Flat faced
infill panelRebated
infill panel

EDM Products in conjunction with Spanwall composite panels can manufacture a wide range of fully bonded composite infill panels.

For fitting into curtain walling these bonded insulated panels can have various edge details to create flush façades or rebated panel details.

Designs to suit all major glazing and curtain walling sections are available in a range of external paint finishes.

Insulation cores to meet building regulations and fire performance can be specified.

