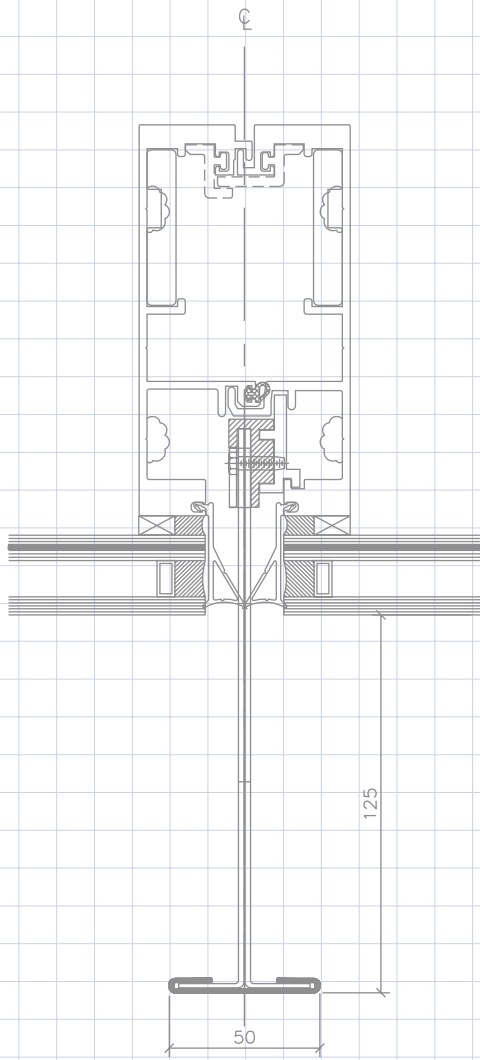


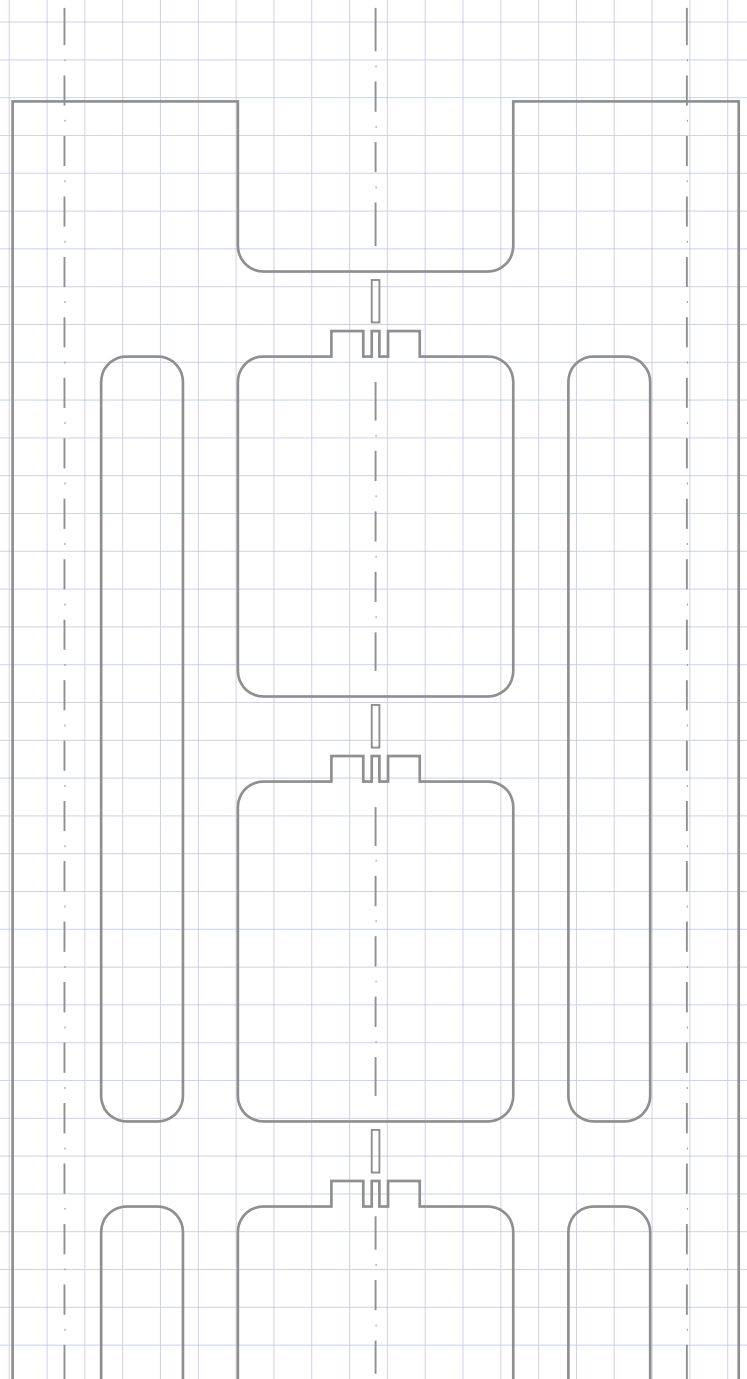


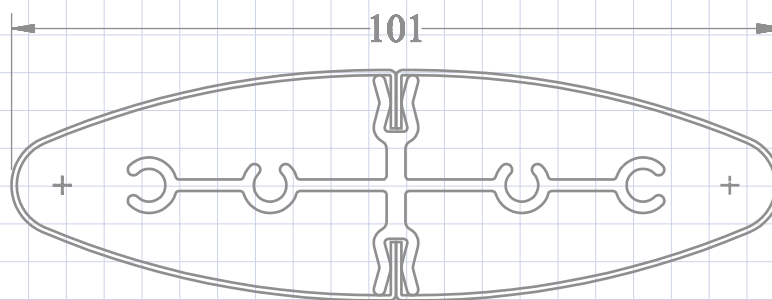
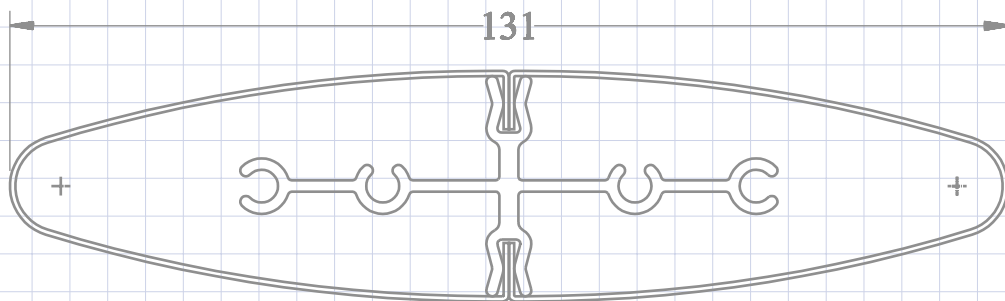
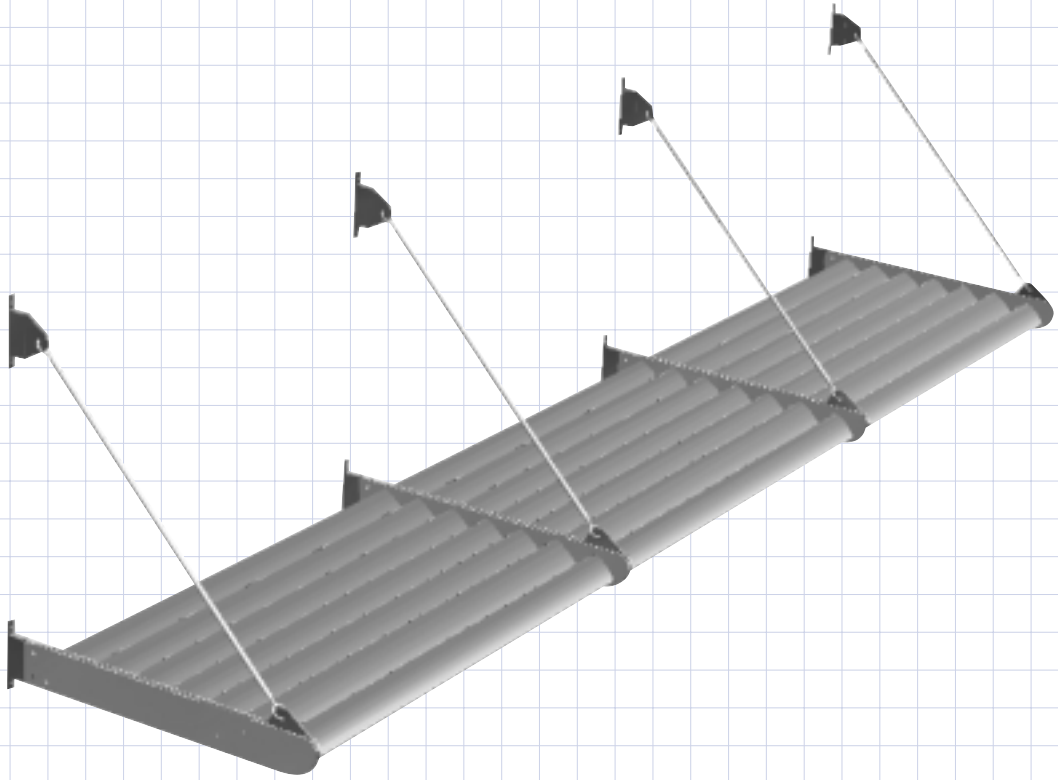
The lightweight stainless steel Tee section façade features supplied to the George's Quay Project in Dublin were manufactured using the most advanced combined turret punch and laser cutting equipment available in Europe. The product design was evolved between the project architect, the glazing contractor and the EDM design team to create a truly unique façade feature.



The stainless steel Tee section installed into the curtain wall mullion

The laser cut blank before folding





EDM Architectural Metal Products manufacture an aerofoil louvre with support arms, rods and brackets to fit into their Spanwall panel systems. The brackets can also be designed for installation to curtain wall glazing systems.

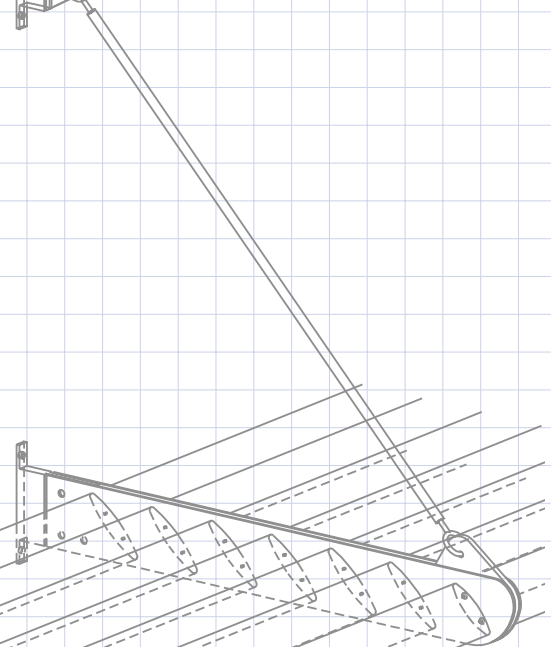
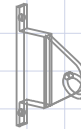
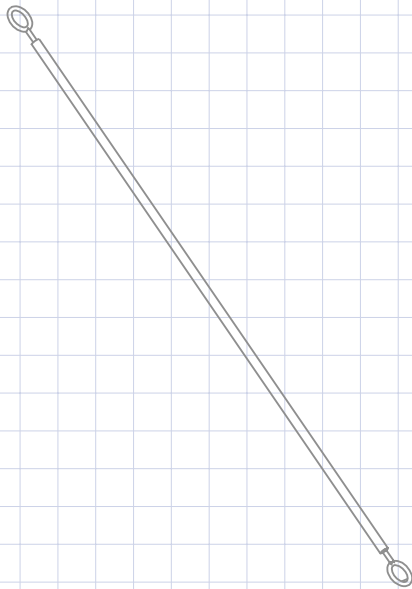
The aerofoil louvre blade can be fabricated in stainless steel or in pre-coated aluminium in a range of sizes.

Along with the practical aspect of giving solar shading to large areas of glazed facades well designed Brise Soleil can add greatly to the overall aesthetic design appeal of a building.

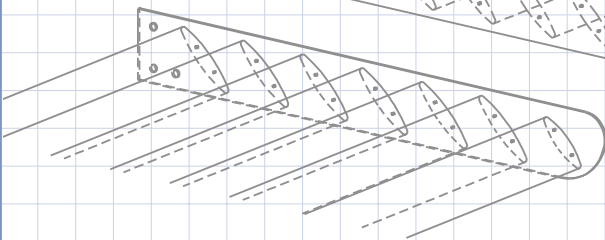
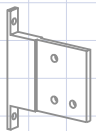
The limitless combinations of support brackets, cantilever arms, outriggers and blade shapes supplied by EDM ensure that every project budget can be catered for.

Details showing installation into Spanwall panel system. Can also be installed into curtain wall glazing system.

Detail A: Rod support brackets fitted into Spanwall panel system

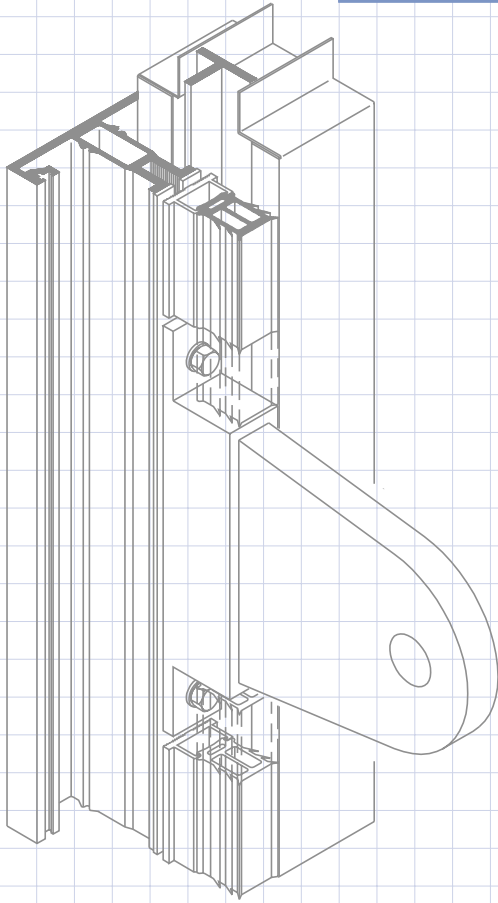


Detail B: Arm support bracket

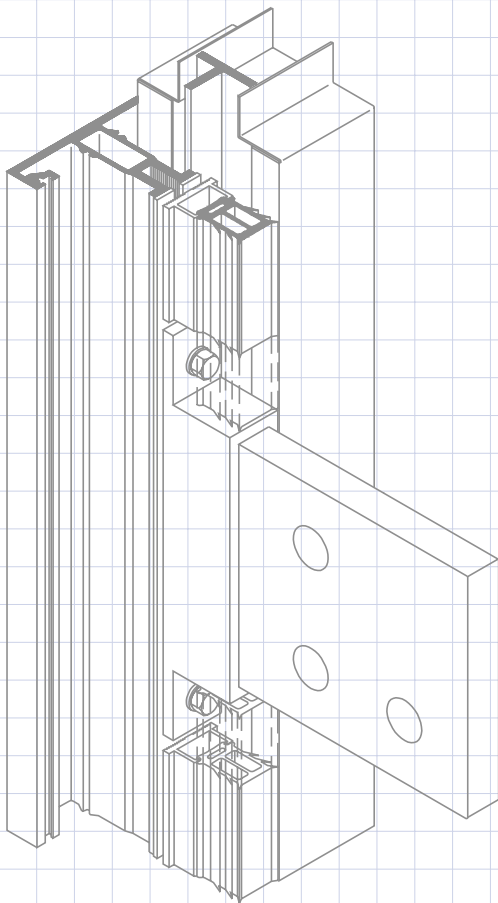
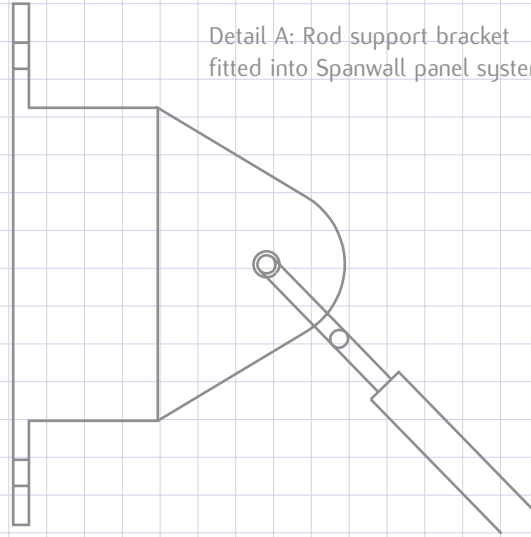


Rod support bracket





Detail A: Rod support bracket fitted into Spanwall panel system



Detail B: Louvre support arm bracket fitted into Spanwall panel system

